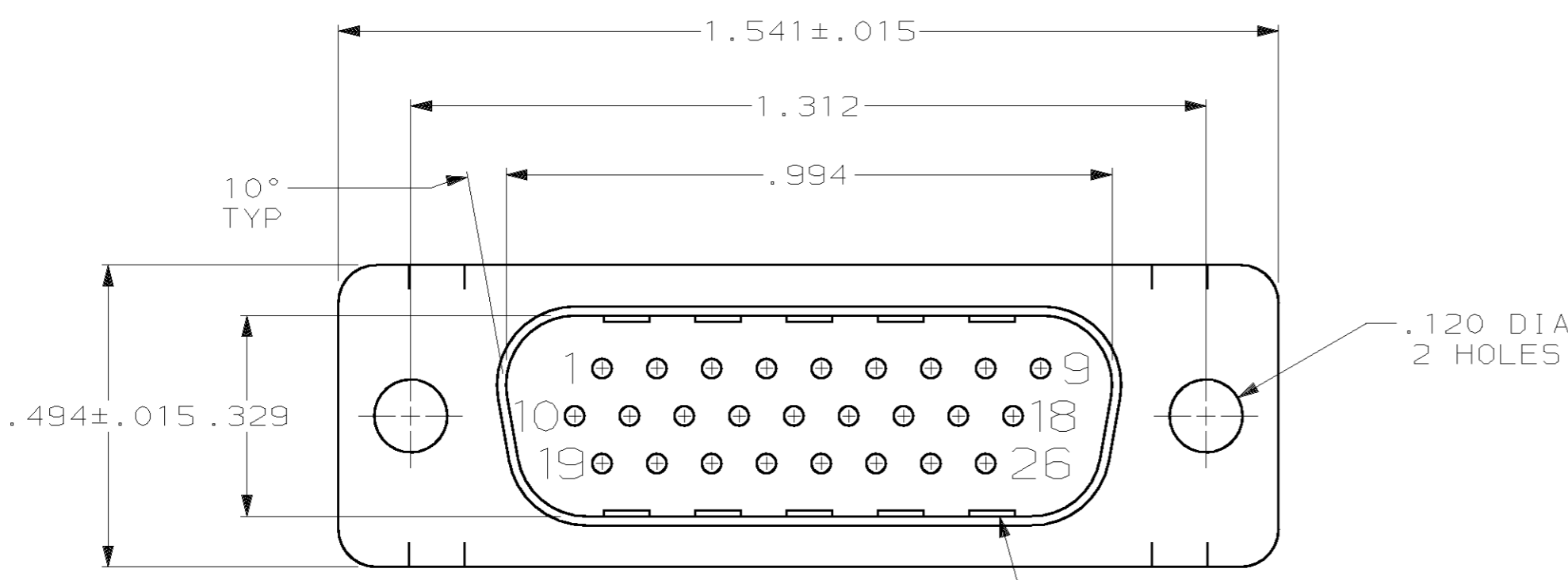
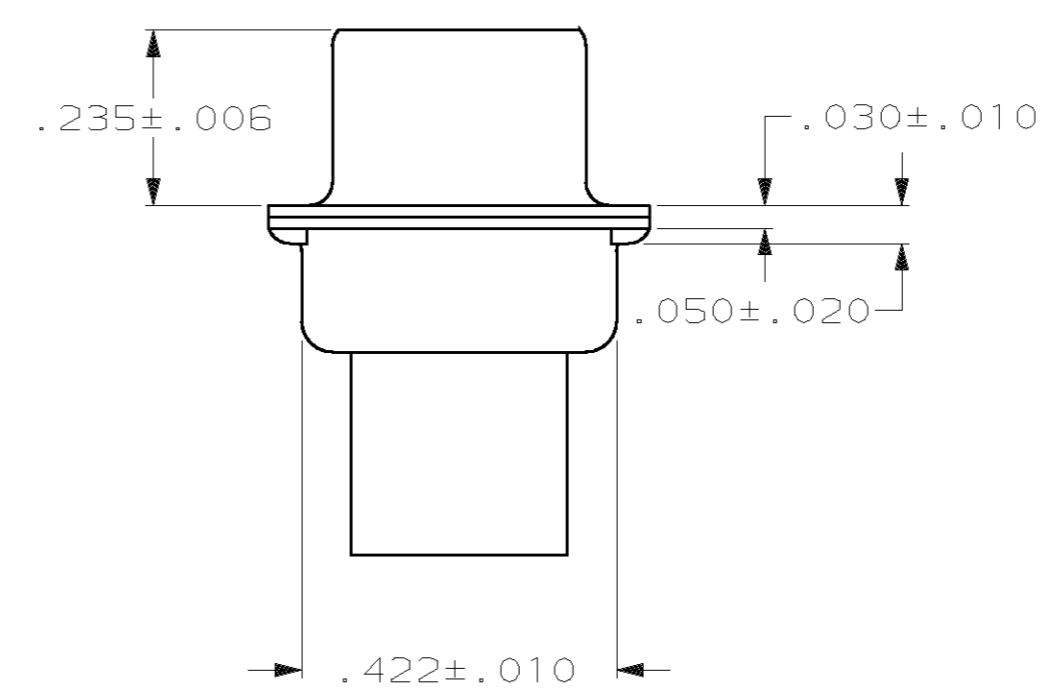
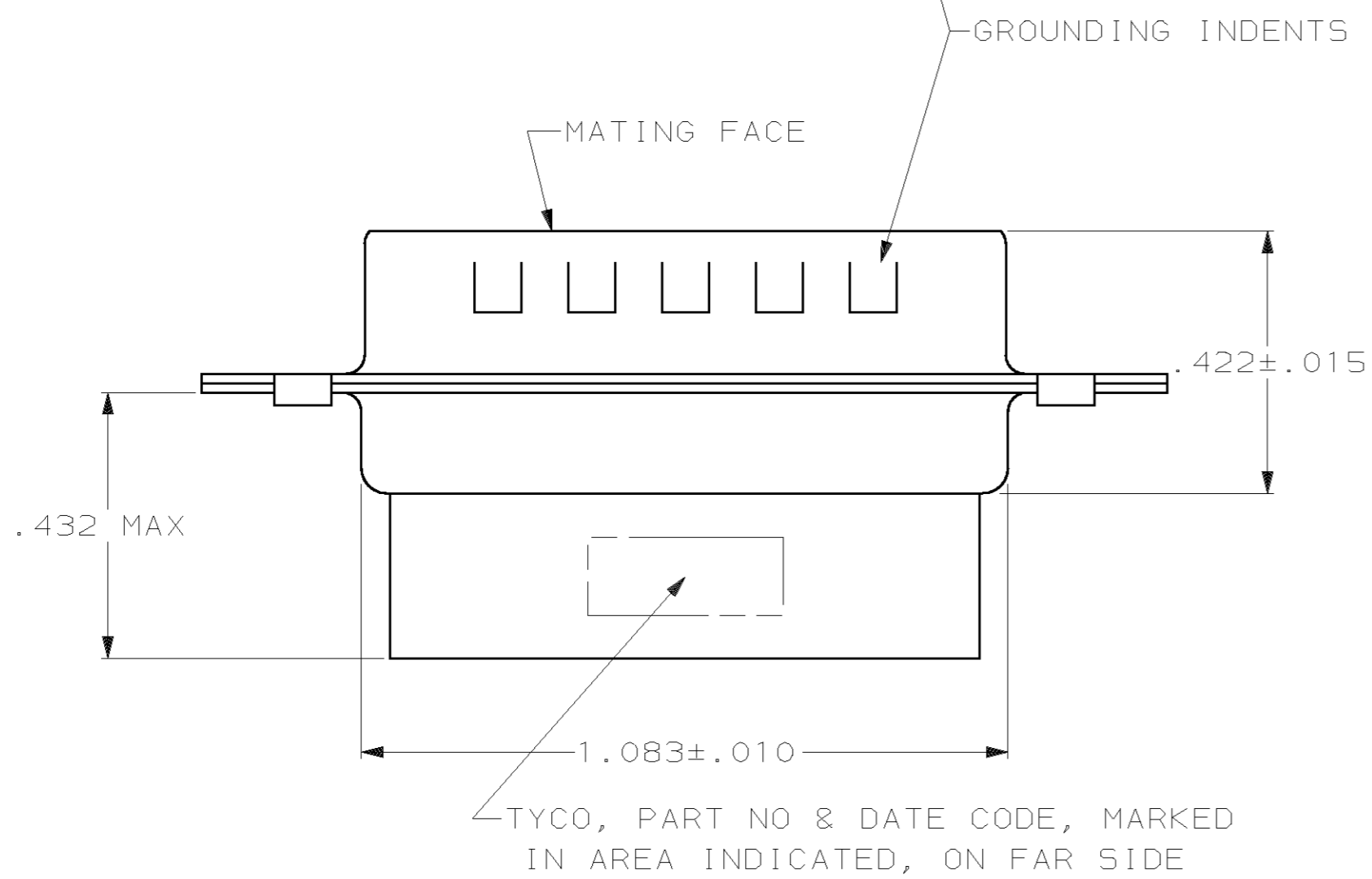


THIS DRAWING IS UNPUBLISHED. RELEASED FOR PUBLICATION, 19
 (C) COPYRIGHT 19 BY AMP INCORPORATED, ALL RIGHTS RESERVED.

LOC		DIST		REVISIONS			
P	LTR	DESCRIPTION		DATE	DWN	APVD	
GP	00	0		RELEASED PER EC 0513-0209-03	02JAN04	LB	5B



1. CONNECTOR ACCEPTS 22 DF PIN CONTACTS, RETENTION TINES ARE AN INTEGRAL PART OF INSERT.
2. FLAME RETARDANT 94V-0 RATED GLASS FILLED NYLON, COLOR: BLACK.
3. CARBON STEEL.
4. .000200 MIN. TIN PLATE OVER .00100. MIN. COPPER UNDERPLATE.



1658671-1
PART NUMBER

THIS DRAWING IS A CONTROLLED DOCUMENT.		DWN	02JAN04	AMP Incorporated Harrisburg, PA 17105-3608					
DIMENSIONS: INCH		CHK	02JAN04						
TOLERANCES UNLESS OTHERWISE SPECIFIED: 0 PLC ±- 1 PLC ±- 2 PLC ±- 3 PLC ±.005 4 PLC ±- ANGLES ±2°		APVD	02JAN04						
MATERIAL MOLDED PARTS: 2 SHELLS: 3		NAME L. BAUM S. BOLASH M. WALMSLEY PRODUCT SPEC 108-1268 APPLICATION SPEC 114-10001 WEIGHT - CUSTOMER DRAWING							
NAME PLUG ASSEMBLY, SIZE 2, 26 POSN, HDP-22, AMPLIMITE®		SIZE	A2	CAGE CODE	00779	DRAWING NO	1658671	RESTRICTED TO	-
SCALE		4:1		SHEET	1 OF 1		REV	0	